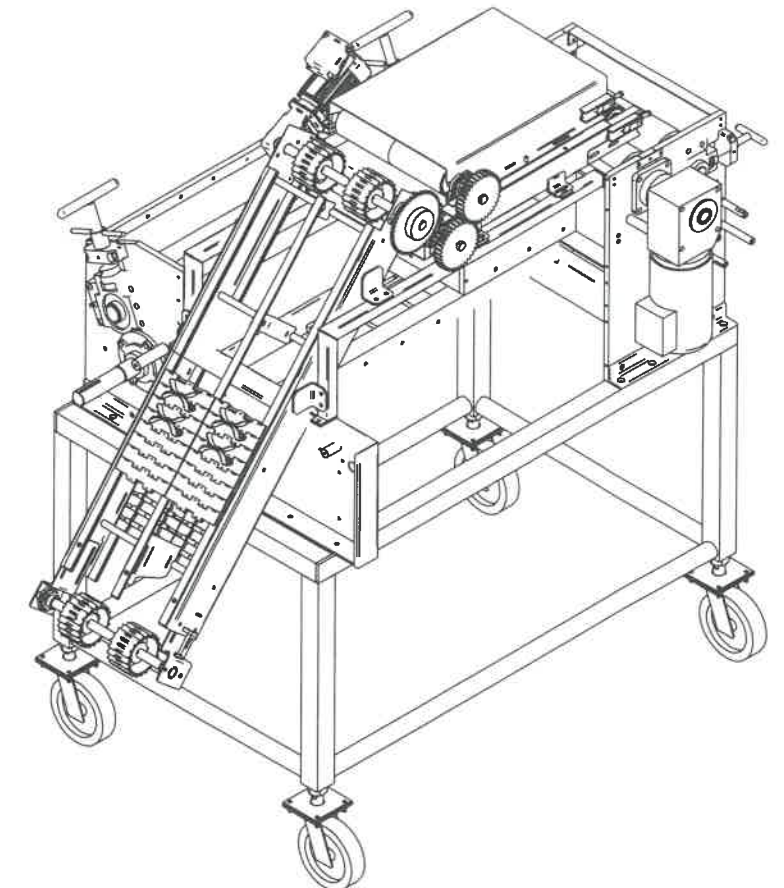
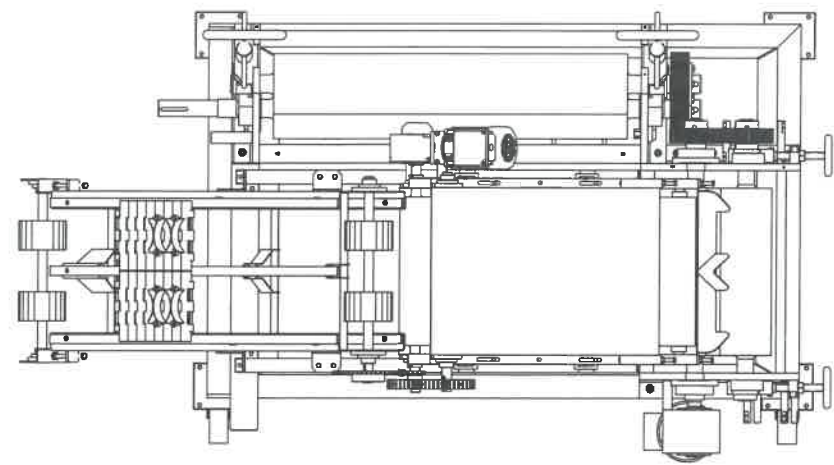


8 7 6 5 4 3 2 1

REVISION	CHANGE	DATE
A	MODIFIED FRAME TO FIT CASTERS	6-26-13



REFERENCE

REFERENCE

D

D

C

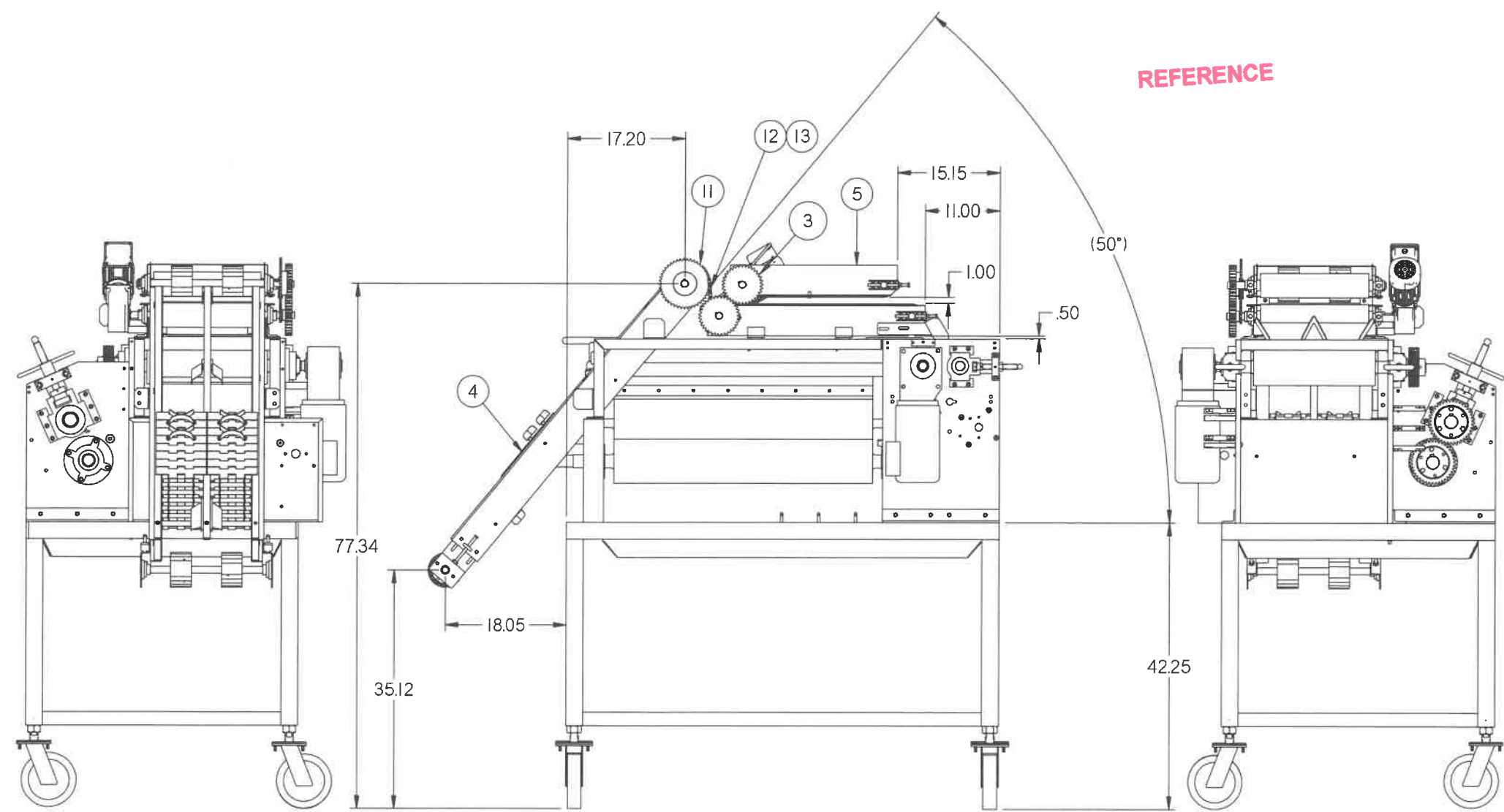
C

B

B

A

A



Spare	#	Qty	Part Number	Title / Description
	1'	1	6510-031703	INFEED TRANSFER CHUTE
	2	2	6510-045402	MOUNT, MOTOR - 1.0X2.88X31
	3	2	6510-049410	GEAR- 34T,6DP- 1.00 BORE
	4	1	6510-100101	PRESSER ELEVATOR ASSEMBLY
	5	1	6510-100201	CONVEYOR ASSY, TOP PRESSER
	6	1	6510-100301	CONVEYOR ASSY, BOT PRESSER
	7'	1	6510-100401	FRAME SUBASSY, PECT SUPPORT
	8'	4	6510-100417	ANGLE, PRESSER SUPPORT
	9'	4	6510-100419	MOUNTING BRACKET
	10	1	G40B12-1	SPROCKET- 40B12- CS X 1.00 BORE
	11	1	G40B45-1	SPROCKET, SINGLE, 45T, 1.00, CS
	12	4	J01-40	CHAIN, ROLLER, SINGLE, #40, CS
	13	1	J81-40	LINK, CONNECT, SINGLE, #40, CS
	14	1	M.5-RNYMS051220YA 25-1	GEARMOTOR, 5 HP, 25-I, 1.0 BORE

08/19/13 Mon-12:47:42 PM
File Name: 6510-000301-060.dwg

PART UPDATE:
02/04/22-07:32:10 AM

TOLERANCES FRACTIONS +/- 1/16 DECIMAL .X ± .030 .XX ± .010 .XXX ± .005 <small>UNLESS OTHERWISE SPECIFIED ALL DIMS ARE IN INCHES</small>		Casa Herrera, Inc. 2655 NORTH PINE ST., POMONA, CALIFORNIA 91767 DESIGNED BY henrya DRAWN BY kenneths DATE 04/08/13		PRESSER ELEVATOR AND CONVEYORS RIGHT HAND COMPLETE DRAWING NUMBER 6510-000301-060		SIZE D SHEET 1 OF 2	SCALE - 1" = 1"
FLOUR HEAD							

8 7 6 5 4 3 2 1

8

7

6

5

4

3

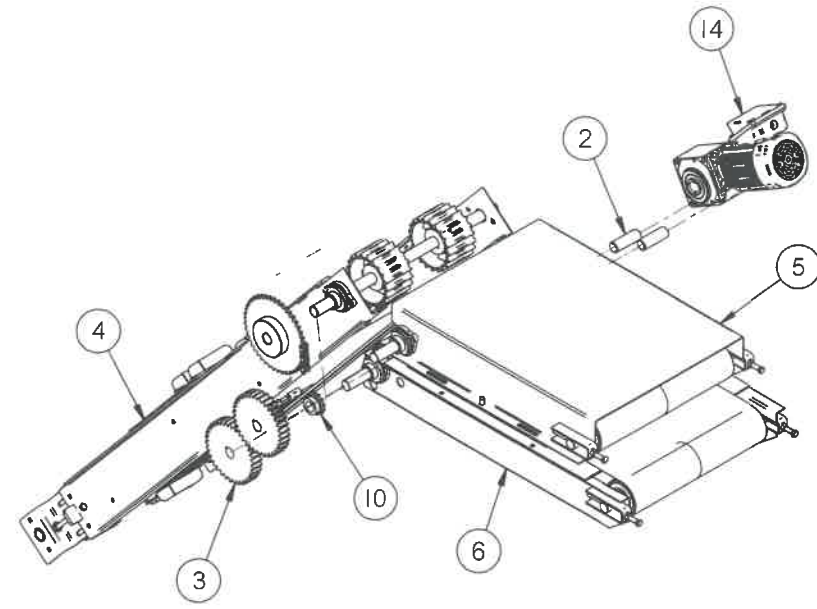
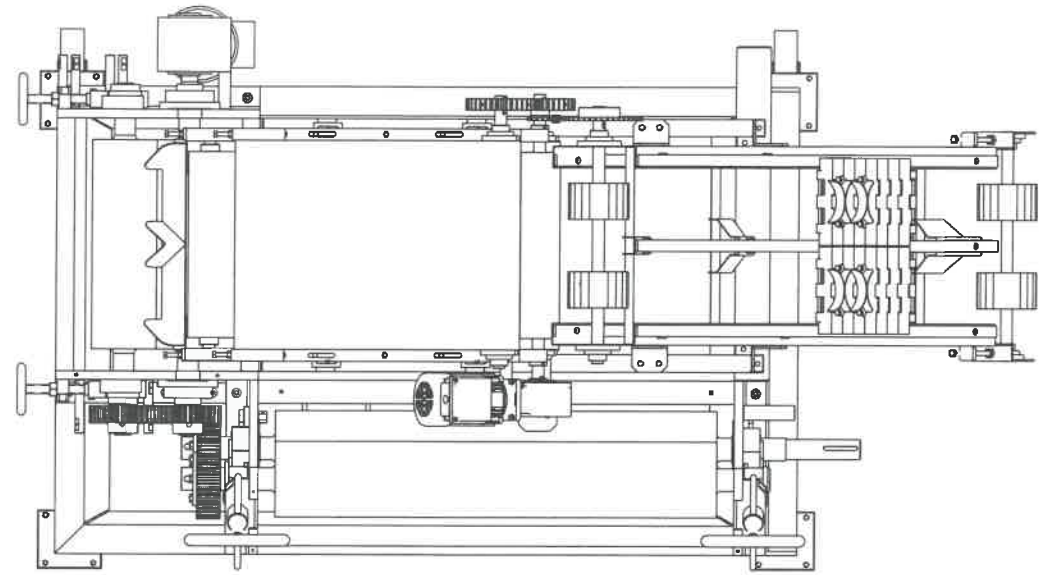
2

1

REVISION	CHANGE	DATE

D

D



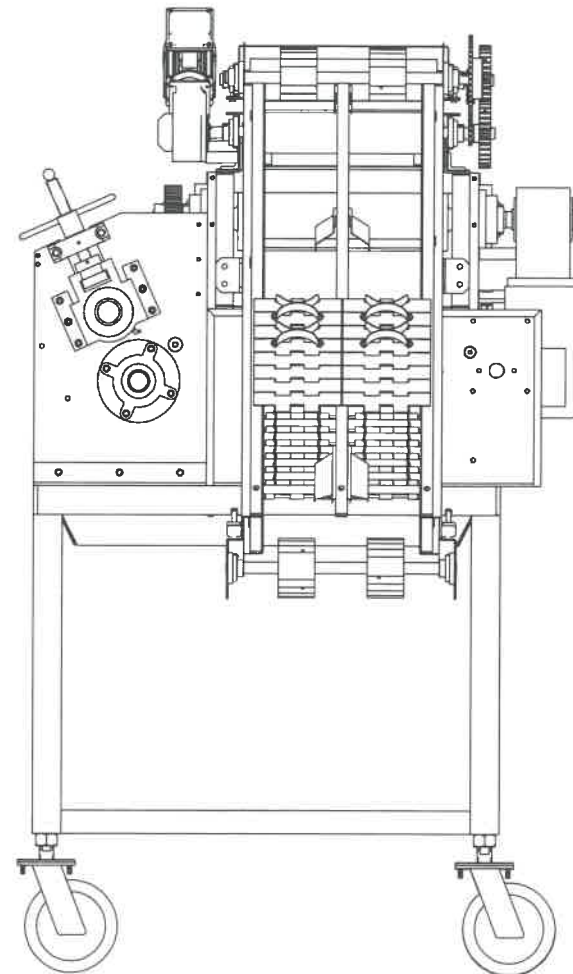
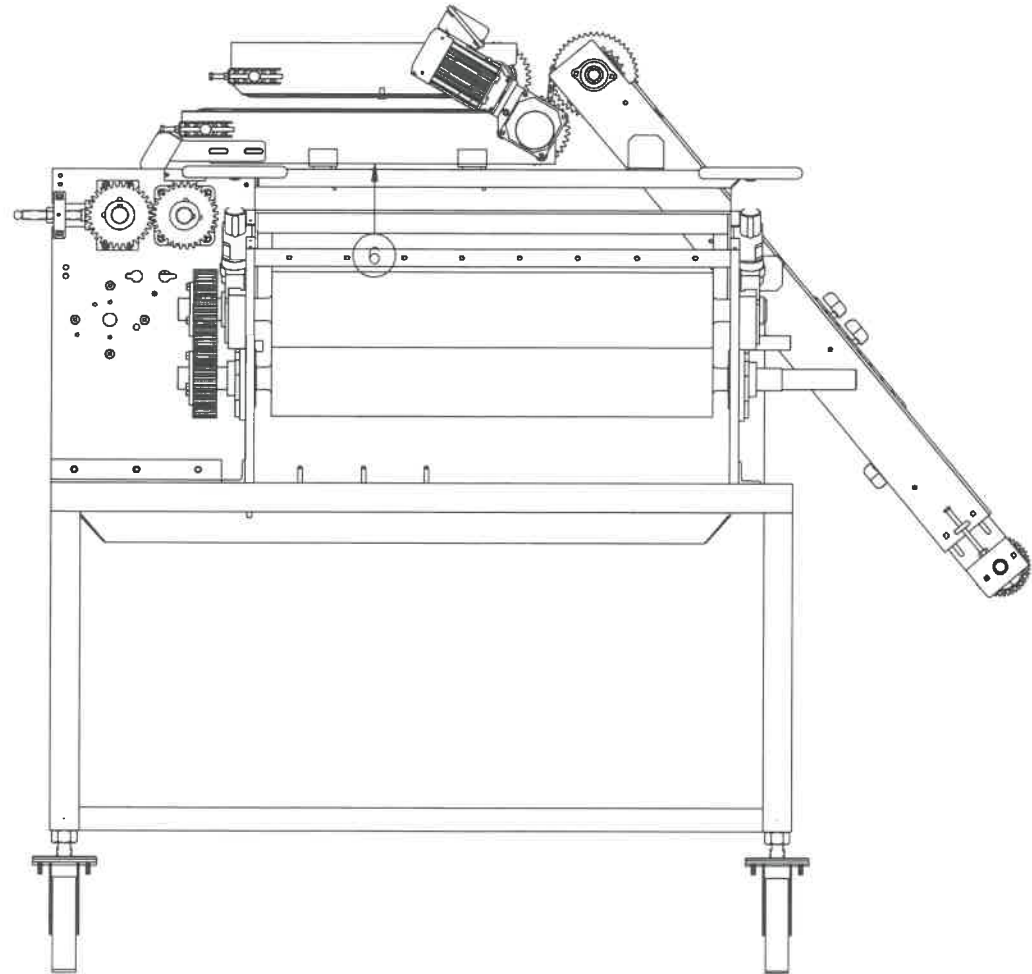
C

C

REFERENCE

B

B



REFERENCE

A

A

8

7

6

5

4

3

2

1

TOLERANCES FRACTIONS ± 1/16 DECIMAL X ± .030 XX ± .010 XXX ± .005	Casa Herrera, Inc. 2655 NORTH PINE ST., POMONA, CALIFORNIA 91767		PRESSER ELEVATOR AND CONVEYORS RIGHT HAND	
	henrya kenneths	04/08/13	COMPLETE	D
	FLOUR HEAD		6510-000301-060	2 OF 2
	A		A	

08/19/13M00-124742PM
 FILE NAME: 6510-000301-060.dwg
 PART UPDATE:
 020422-07:32:10AM